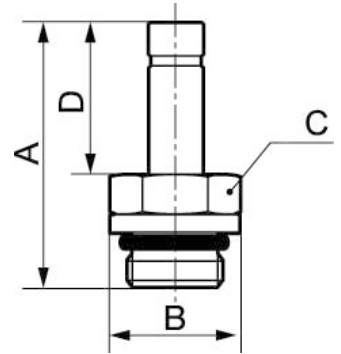


SELBSTSICHERNDE STECKVERBINDER - CONEX

Anschlussst lle f r
Schnellsteckverbinder - RPJ PG



Min/max Betriebsdruck

0 / 10 bar

Min/Max Temperatur

0 / 60 °C

Art. Nr	AG	Abm. A (mm)	Abm. B (mm)	Abm. C (mm)	Abm. D (mm)
RPJ PG04M5	M5	27	10.4	9	18
RPJ PG0400	G1/8	29	13.6	12	18
RPJ PG05M5	M5	27	9.2	8	18
RPJ PG0500	G1/8	29	13.9	12	18
RPJ PG0501	G1/4	31	19.6	17	18
RPJ PG06M5	M5	27	11.5	10	18
RPJ PG0600	G1/8	29	13.9	12	18
RPJ PG0601	G1/4	31	19.6	17	18
RPJ PG0800	G1/8	32	13.9	12	21
RPJ PG0801	G1/4	34	19.6	17	21
RPJ PG0802	G3/8	35	21.9	19	21
RPJ PG1001	G1/4	36	19.6	17	23
RPJ PG1002	G3/8	37	21.9	19	23.5
RPJ PG1201	G1/4	36.5	19.6	17	23.5
RPJ PG1202	G3/8	37.5	21.9	19	23.5